



บริษัท อุดมกิจ ฟิตติ้ง วาล์ว จำกัด

UDOMKIT FITTING VALVE CO., LTD.

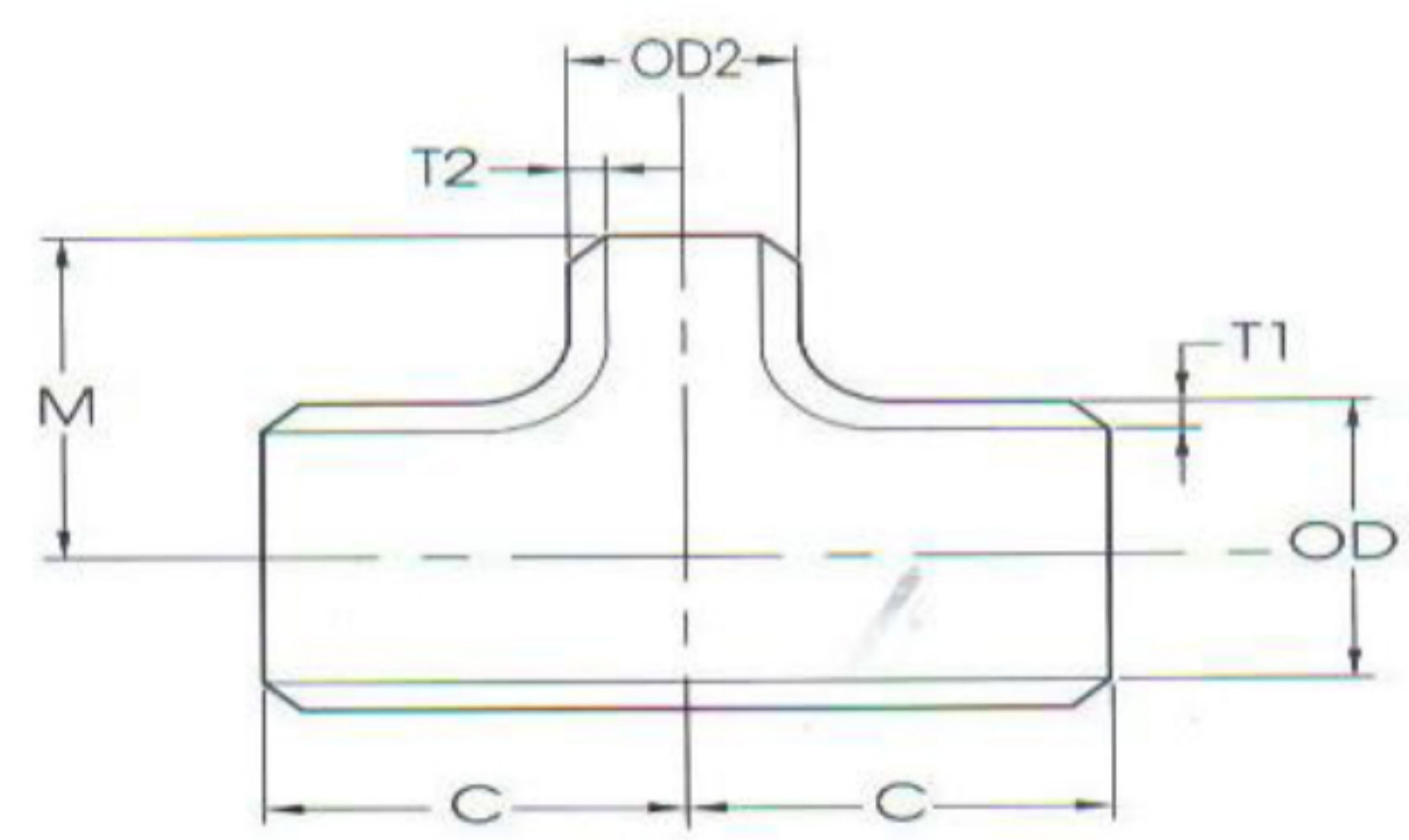
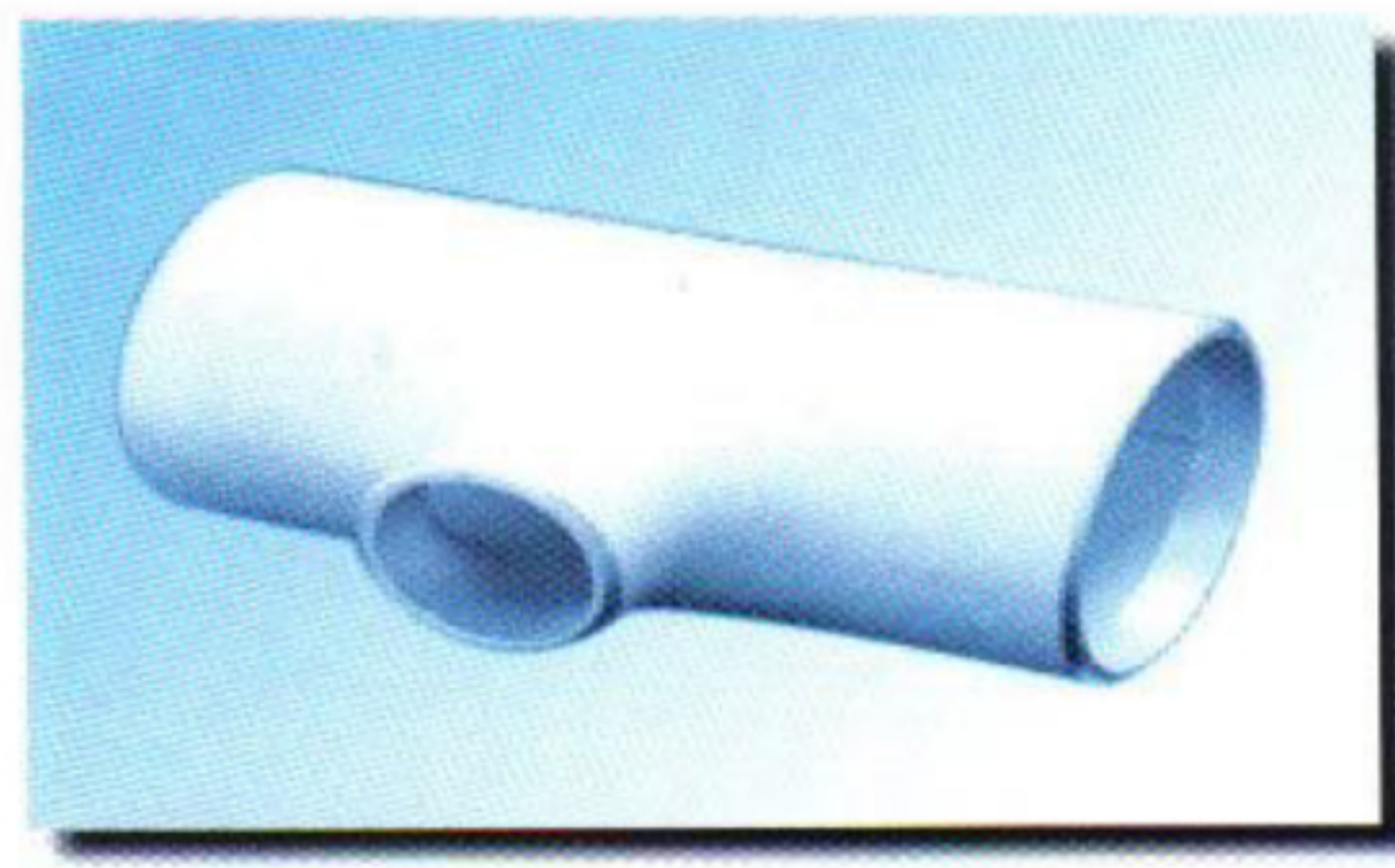
12/4 ซอยสุขสวัสดิ์ 15/1 ถนนสุขสวัสดิ์ แขวงบางปะกอก เขตราษฎร์บูรณะ กรุงเทพฯ 10140

โทร. 02-4282114 แฟกซ์ 02-4282125

E-mail : ugroups@hotmail.com Website : http://www.udomkit.com

ศูนย์รวมอุปกรณ์ ท่อ วาล์ว และวัสดุโรงงานทุกชนิด

REDUCING OUTLET TEES STEEL GRADE 304#10/316#10 AND 304#40



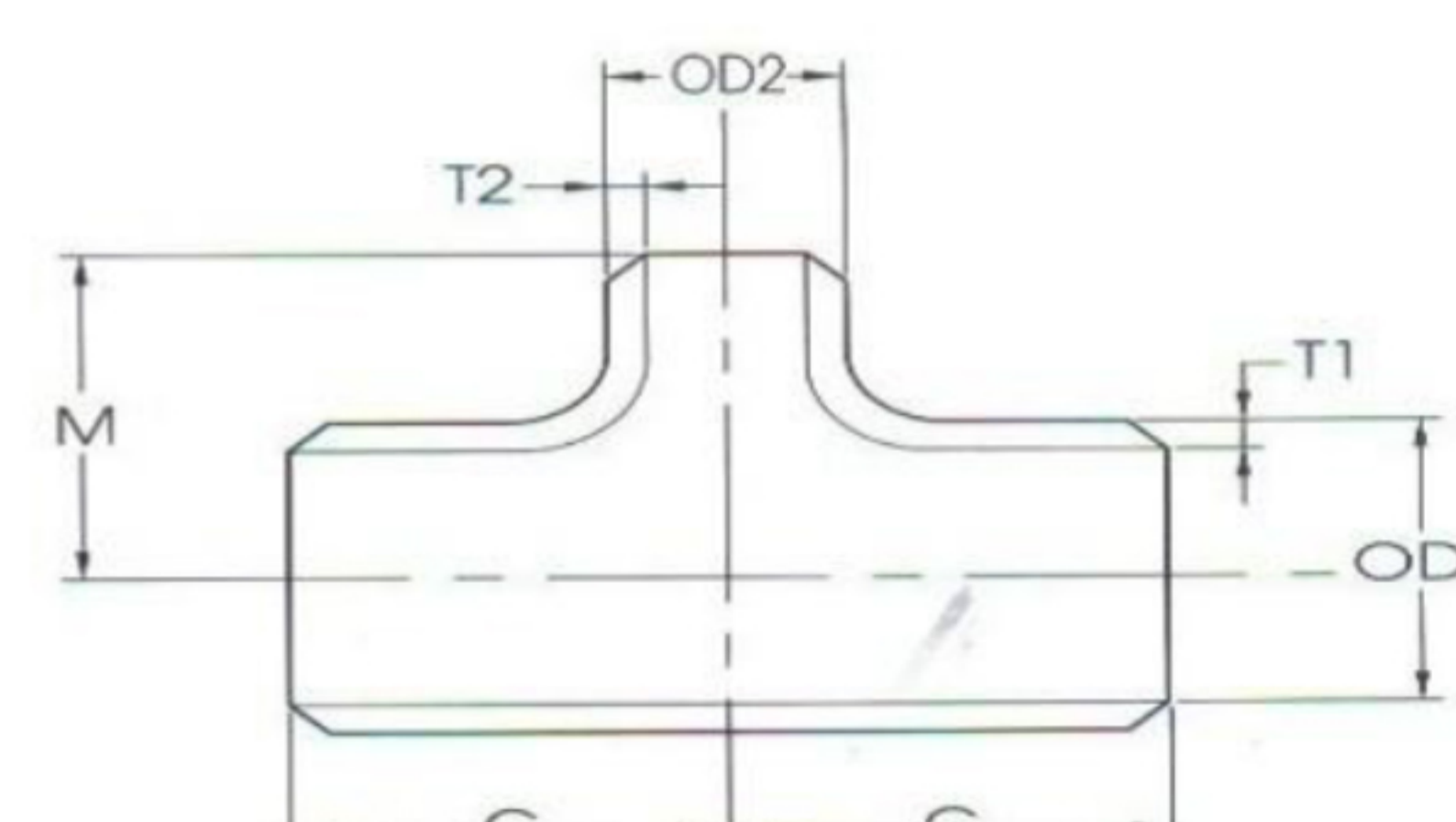
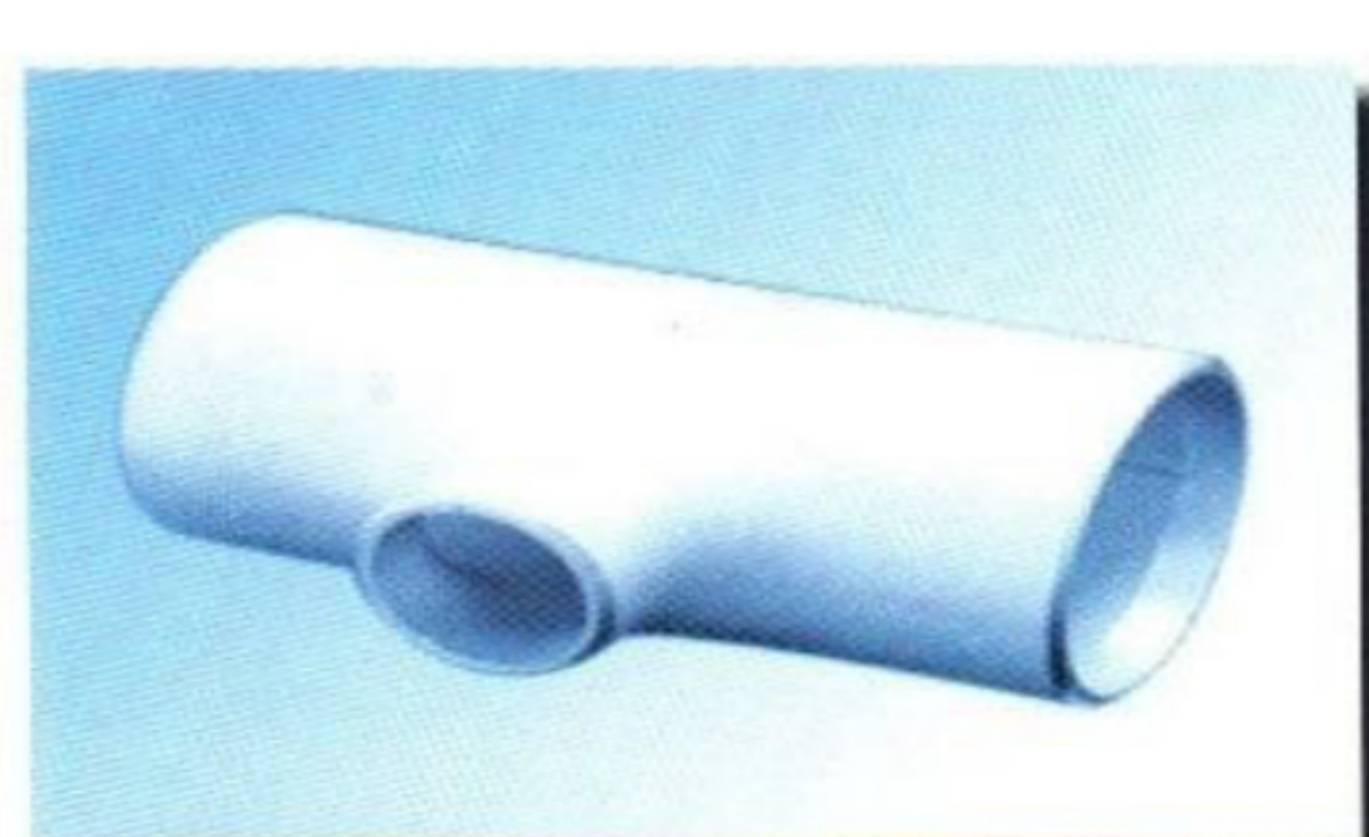
Dimenslon (Unit : mm)

Nominal Pipe Size		Outside Dia. OD1	Outside Dia. OD1	Wall Thickness (T1,T2)				Center to End C	Center to End M	Weight (kg)	
				Sch.10S(SGP)		Sch.40S				Sch. 10S (SGP)	Sch.40S
in	mm			Sch.10S	T2	Sch.40S	T2				
3/4×1/2	20×15	26.25	21.00	2.80	2.08	2.83	2.73	28.25	28.25	Sch.10S	Sch.40S
1×1/2	25×15	32.75	21.00	2.73	2.08	3.33	2.73	37.50	37.50	0.204	0.234
1×3/4	25×20	32.88	26.25	2.73	2.08	3.33	2.83	37.50	37.50	0.212	0.244
1.1/4×3/4	32×20	41.50	26.25	2.73	2.08	3.50	2.83	47.00	47.00	0.327	0.423
1.1/4×1	32×25	41.50	32.88	2.73	2.08	3.50	2.33	47.00	47.00	0.339	0.441
1.1/2×1/2	40×15	47.50	21.00	2.73	2.08	3.63	2.73	56.25	56.25	0.431	0.561
1.1/2×3/4	40×20	47.50	26.25	2.73	2.08	3.63	2.83	56.25	56.25	0.446	0.578
1.1/2×1/2	40×15	47.50	32.88	2.73	2.73	3.63	3.33	56.25	56.25	0.461	0.600
1.1/2×1.1/4	40×32	47.50	41.50	2.73	2.73	3.63	3.50	56.25	56.25	0.482	0.629
2×3/4	50×20	59.38	26.25	2.73	0.83	2.83	2.83	62.50	43.75	0.702	1.110
2×1	50×25	59.38	32.88	2.73	2.73	3.33	3.33	62.50	50.00	0.725	1.140
2×1.1/4	50×32	59.38	41.50	2.73	2.73	3.50	3.50	62.50	56.25	0.747	1.180
2×1.1/2	50×40	59.38	47.50	2.73	2.73	3.63	3.63	56.25	59.50	0.766	1.230
2.1/2×1.1/2	60×40	71.88	47.50	3.00	2.73	3.63	3.63	75.00	65.75	1.180	2.080
2.1/2×2	65×50	71.88	59.38	3.00	2.73	3.85	3.85	75.00	68.75	1.210	2.120
3×1.1/2	80×40	87.50	47.50	3.00	2.73	3.63	3.63	78.25	72.00	1.600	2.980
3×2	80×50	87.50	59.38	3.00	2.73	3.85	3.85	84.50	75.00	1.630	3.010
3×2.1/2	80×65	87.50	71.88	3.00	3.00	5.08	5.08	84.50	81.25	1.690	3.150

< To Be Continued >

REDUCING OUTLET TEES STEEL GRADE 304#10/316#10 AND 304#40

(CONTINUED)



Dimenslon (Unit : mm)

Nominal Pipe Size		Outside Dia. OD1	Outside Dia. OD1	Wall Thickness (T1,T2)				Center to End C	Center to End M	Weight (kg)	
				Sch.10S		Sch.40S				Sch.10S	Sch.40S
in	mm			T1	T2	T1	T2				
4×1.1/2	100×40	112.50	47.50	3.00	2.73	3.6	3.63	103.25	2.51	2.51	5.04
4×2	100×50	112.50	59.38	3.00	2.73	3.9	3.85	103.25	2.53	2.53	5.08
4×2.1/2	100×60	112.50	71.88	3.00	3.00	5.1	5.08	103.25	2.59	2.59	5.22
4×3	100×80	112.50	87.50	3.00	3.00	5.4	5.40	103.25	2.61	2.61	5.27
5×3	125×80	138.08	87.50	3.35	3.00	5.4	5.40	122.00	4.17	4.17	8.13
5×4	125×100	139.08	112.50	3.35	3.00	5.93	5.93	122.00	4.24	4.24	8.36
6×2.1/2	150×65	165.63	71.88	3.35	3.00	5.08	5.08	140.75	5.69	5.69	11.87
6×3	150×80	165.63	87.50	3.35	3.00	5.4	5.40	140.75	5.75	5.75	11.92
6×4	150×100	165.63	112.50	3.35	3.00	5.93	5.93	140.75	5.85	5.85	12.10
6×5	150×125	165.63	139.08	3.35	3.35	6.5	6.45	140.75	5.92	5.92	12.34
8×4	200×100	215.63	112.50	3.70	3.00	5.93	5.93	175.00	9.80	9.80	21.26
8×5	200×125	215.63	139.08	3.70	3.35	6.5	6.45	175.00	9.83	9.83	21.35
8×6	200×150	215.63	165.63	3.70	3.35	7.00	7.00	175.00	9.90	9.90	21.62
10×5	250×125	268.75	139.08	4.13	3.35	6.45	6.45	212.50	16.47	16.47	36.14
10×6	250×150	268.75	165.63	4.13	3.35	7.00	7.00	212.50	16.58	16.58	36.27
10×8	250×200	268.75	215.63	4.13	3.70	8.05	8.05	212.50	16.69	16.69	36.85
12×6	300×150	318.75	165.63	4.50	3.35	7.00	7.00	250.00	25.10	25.10	51.96
12×8	300×200	318.75	215.63	4.50	3.70	8.05	8.05	250.00	25.32	25.32	52.38
12×10	300×250	318.75	268.75	4.50	4.13	9.13	9.13	250.00	25.48	25.48	53.72

Note : 1. Outlet dimension "M" for run sizes 14 and larger is recommended but not mendatory.