

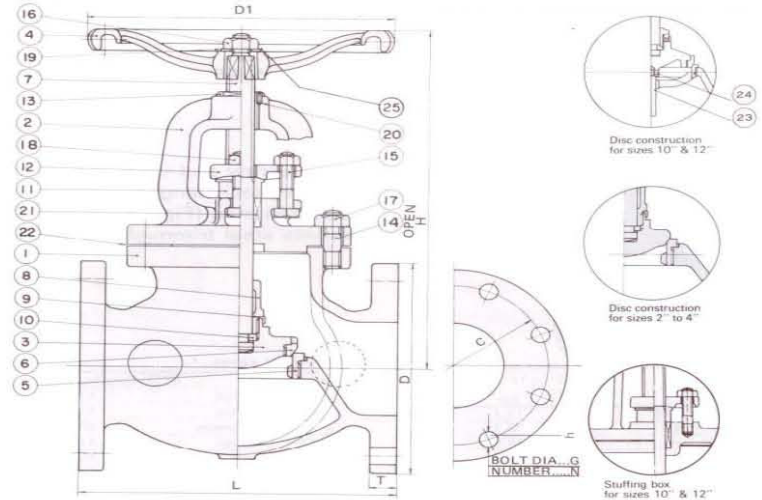
**Outside screw and yoke, Rising stem, bolted bonnet, flanged end, Bronze trimmed.**



Fig. No. GLB-301 (ANSI 150)

Fig. No. GLB-302 (Class 10 K)

**125S  
200WOG**



### Pressure-Temperature Ratings

Service Temperature		Size 2" to 12"	
°F	°C	Psing	Bar
-20 to 150	-29 to 66	200	13.7
200	93	190	13.1
225	107	180	12.4
250	121	175	12.0
275	135	170	11.7
300	149	165	11.3
325	163	155	10.6
353	178	150	10.3
375	191	145	10.0
406	208	140	9.6
425	218	130	8.9
450	232	125	8.6
Hydrostatic test pressure	Shell	350	24.1
	Seat	220	15.2

- Pressure-temperature ratings extracted from ANSI B16.1 apply to cast iron flanged end valve designed for primary working pressure in class 125.
- Pressure ratings specified above are used for cast iron with metal-to-metal seating surfaces. Pressure temperature ratings for cast iron valves with non-metallic seat materials must be limited to reflect the physical characteristics of these material at each temperature and may be lower, but in no case higher than values shown in the above table.
- The temperature shown to a corresponding pressure rating shall be the metal temperature of pressure containing parts. It shall be assumed that the metal temperature will be the temperature of the contained fluid. Application of a pressure rating at a metal temperature other than that of the contained fluid is strictly limited to the responsibility of the user. For larger size than 14" working pressure 150 psi.

No.	Name of parts	Specification
1	Body	Cast Iron
2	Bonnet	Cast Iron
3	Disc	Cast Iron
4	Handwheel	Cast iron
5	Body seat ring	Cast Bronze
6	Disc seat ring	Cast Bronze
7	Stem	SUS304
8	Lock nut	Cast Bronze
9	Lock washer	Brass plate
10	Stem ring	Forged brass
11	Gland	Brass
12	Gland flange	Ductile iron
13	Yoke bush	Cast Bronze
14	Bonnet stud nut	Steel
15	Gland bolt	Steel
16	Wheel nut	Steel
17	Bonnet and nut	Steel
18	Gland bolt nut	Steel
19	Washer	Steel
20	Knock pin	Steel
21	Gland packing	Non-abestos packing
22	Gasket	Non-abestos sheet
23	Disc guide pin	Steel
24	Spring pin	Stainless steel
25	Name plate	Aluminium plate

### Dimensions

Size (Inch)	L	H
2"	203	254
2.1/2"	216	273
3"	241	292
4"	292	314
5"	330	364
6"	356	400
8"	495	469
10"	622	553
12"	698	634

Flanges	
N1 (ANSI 150)	N2 (JIS 10 K)
4	4
4	4
4	8
8	8
8	8
8	8
8	12
12	12
12	16

\* Design and materials are subject to change without notice.