

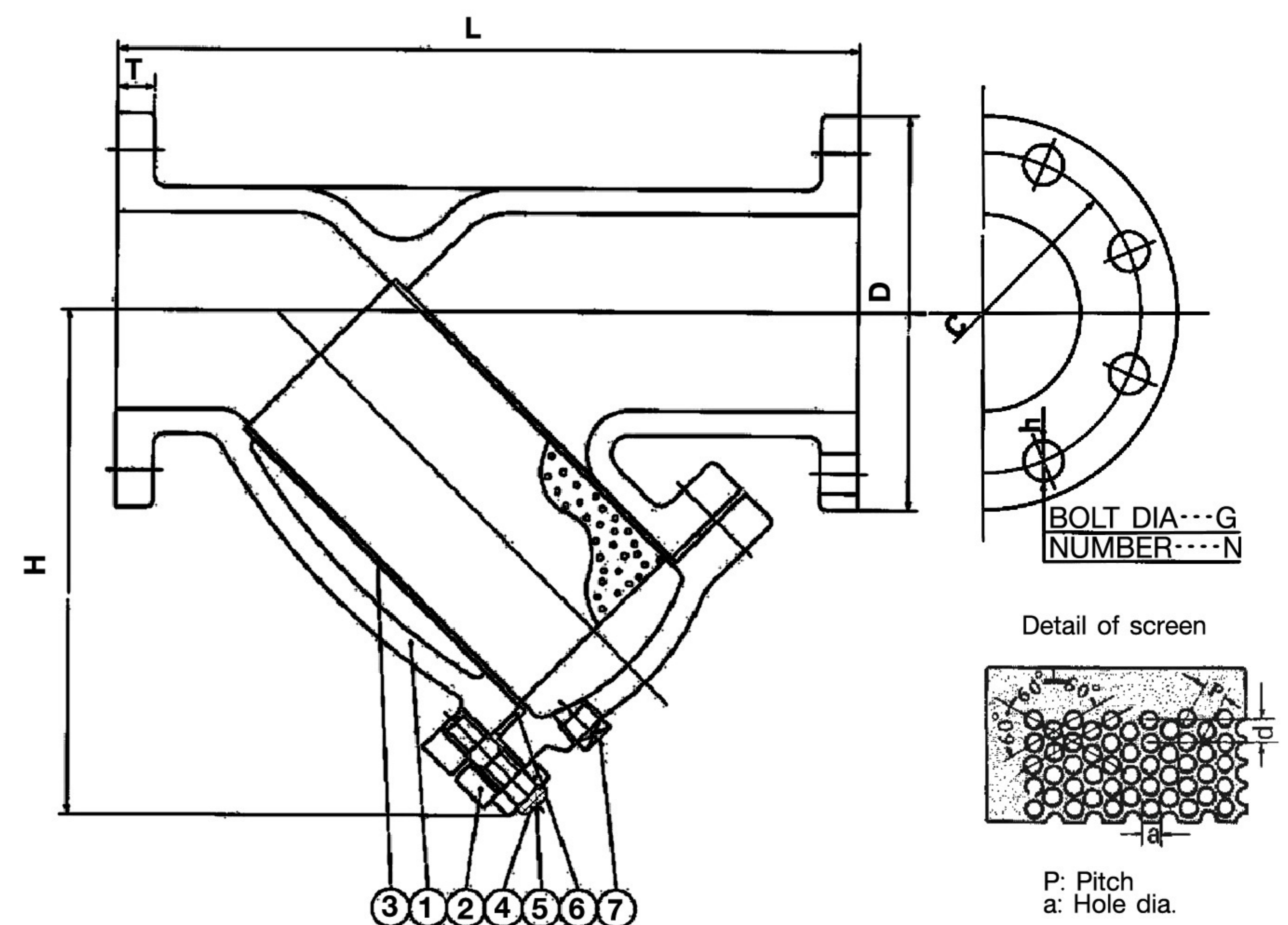
Fig. YS - 701 (Class 150)

Fig. YS - 702 (Class 10K)

Fig. YS - 703 (PN10)

Fig. YS - 704 (PN16)

**Y-pattern
Stainless steel screen
Bolted cover
Flanged ends.**



1. End flange dimensions and drillings conform to ASME B16.1.
End flanges are fully flat faced and smoothly finished.
2. Other flange ends are available upon request.
3. Test pressure standard ISO 5208.

WORKING PRESSURE

NOMINAL PRESSURE (non-shock)		HYDROSTATIC TEST PRESSURE
STEAM	WATER, OIL, GAS	SHELL
Psi 125	200	350
Bar 8.6	13.8	24.1

MATERIALS

NO.	NAME of PARTS	SPECIFICATION
1	Body	Cast Iron
2	Cover	Cast Iron
3	Screen	Stainless steel Type 304
4	Cover bolt	Steel
5	Cover bolt nut	Steel
6	Gasket	Non-asbestos sheet
7	Drain plug	Malleable iron

DIMENSIONS

mm.

SIZE		L	H	D	C	T
mm.	(inch)					
50	2"	250	168	152	121	15.9
65	2.1/2"	285	212	178	140	17.5
80	3"	315	242	190	152	19.1
100	4"	370	284	229	191	23.9
125	5"	420	325	254	216	23.9
150	6"	490	370	279	241	25.4
200	8"	570	440	343	299	28.6
250	10"	680	515	406	362	30.2
300	12"	800	600	483	432	31.8

NO. HOLE of FLANGE

N1 (ANSI150)	N2 (JIS10K)	N3 (PN10)
4	4	4
4	4	4
4	4	8
8	8	8
8	8	8
8	8	8
8	12	8
12	12	12
12	16	12

Data of screen : Hole dia 1.5 mm. for size 2" to 8" and 2 mm. for size 10" to 12".

Other screens are available upon request. Please contact us for more information.