

Fig. C



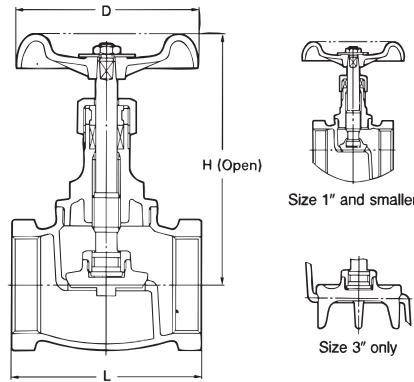
Class 150

C... Threaded ends to BS21

Dimensions

Valve size		inch	1/4	3/8	1/2	3/4	1	1 1/4	1 1/2	2	2 1/2	3
		mm	8	10	15	20	25	32	40	50	65	80
L	End to end		44	44	53	65	77	85	100	119	139	158
H	Height, valve open		66	68	79	93	104	127	145	174	199	215
D	Handwheel diam.		50	50	60	70	80	90	100	115	135	155

Screwed bonnet, Rising stem, Swivel disc, Integral seat, Threaded ends to BS21 or NPT.



2.07 MPa (300 psi) W.O.G. non-shock
1.03 MPa (150 psi) S.P. saturated

Materials

Parts	Material
Body	Bronze
Bonnet	Brass/bronze*
Stem	K-Metal [☆]
Disc	Bronze
Lock nut	Brass
Packing nut	Brass
Gland	Brass rod
Gland packing	Aramid fiber PTFE
Handwheel	Die-cast zinc (1/4"-3/4") Die-cast aluminum (1"-3")

[☆] K-Metal is a special brass developed for anti-dezincification.
* Bronze for 3" only

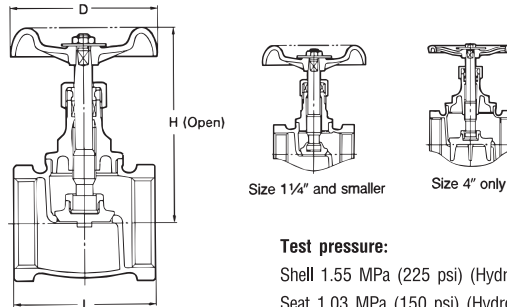
Test pressure: Shell 3.10 MPa (450 psi) (Hydrostatic)
Seat 2.07 MPa (300 psi) (Hydrostatic)
Seat 0.55 MPa (80 psi) (Air)

Fig. A



Class 100

Screwed bonnet, Rising stem, Swivel disc, Integral seat, Threaded ends to BS21 or NPT.



Test pressure:
Shell 1.55 MPa (225 psi) (Hydrostatic)
Seat 1.03 MPa (150 psi) (Hydrostatic)
Seat 0.55 MPa (80 psi) (Air)

1.03 MPa (150 psi) W.O.G. non-shock
0.7 MPa (100 psi) S.P. saturated

Materials

Parts	Material
Body	Bronze
Bonnet	Brass/bronze*
Stem	K-Metal [☆]
Disc	Bronze
Lock nut	Brass rod
Packing nut	Brass
Gland	Brass rod
Gland packing	Aramid fiber PTFE
Handwheel	Die-cast zinc (1/4"-1") Die-cast aluminum (1 1/4"-3") Cast iron (4")

[☆] K-Metal is a special brass developed for anti-dezincification.
* Bronze for 4"

Dimensions

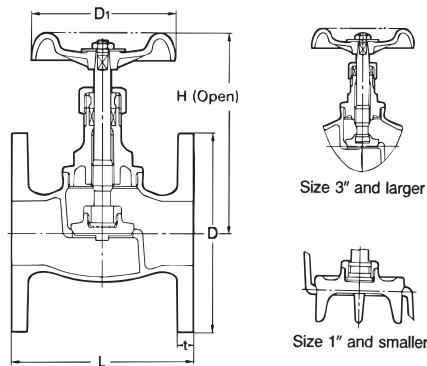
Valve size		inch	1/4	3/8	1/2	3/4	1	1 1/4	1 1/2	2	2 1/2	3	4
		mm	8	10	15	20	25	32	40	50	65	80	100
L	End to end		40	42	48	53	63	73	81	94	115	131	171
H	Height, valve open		66	67	69	80	94	104	127	147	179	200	250
D	Handwheel diam.		50	50	55	60	70	80	90	100	115	135	180

Fig. B



Class 150

Screwed Bonnet, rising stem, Swivel disc, Integral seat, Flanged ends drilled or undrilled optionally



1.55 MPa (225 psi) W.O.G. non-shock
1.03 MPa (150 psi) S.P. saturated

Materials

Parts	Material
Body	Bronze
Bonnet*	Brass / bronze
Stem	K-Metal [☆]
Disc	Bronze
Lock nut	Brass
Packing nut	Brass
Gland	Brass rod
Gland packing	Aramid fiber PTFE
Handwheel	Die-cast zinc (1/2"-3/4") Die-cast aluminum (1"-3") Ductile iron (4")

[☆] K-Metal is a special brass developed for anti-dezincification.
* Bronze for 3" and larger.

Dimensions

Valve size		inch	1/2	3/4	1	1 1/4	1 1/2	2	2 1/2	3	4
		mm	15	20	25	32	40	50	65	80	100
L	Face to face		83	88	100	113	120	145	165	177	220
H	Height, valve open		79	94	105	127	145	174	198	215	250
D1	Handwheel diam.		60	70	80	90	100	115	135	155	180
D	Flange diam.		95	100	125	135	140	155	175	185	210
t	Flange thickness		8.5	9.5	9.5	9.5	11.5	12.5	13.0	14.0	17.0

Test pressure:
Shell 3.10 MPa (450 psi) (Hydrostatic)
Seat 2.07 MPa (300 psi) (Hydrostatic)
Seat 0.55 MPa (80 psi) (Air)