



บริษัท อุดมกิจ ฟิตติ้ง วาล์ว จำกัด

UDOMKIT FITTING VALVE CO., LTD.

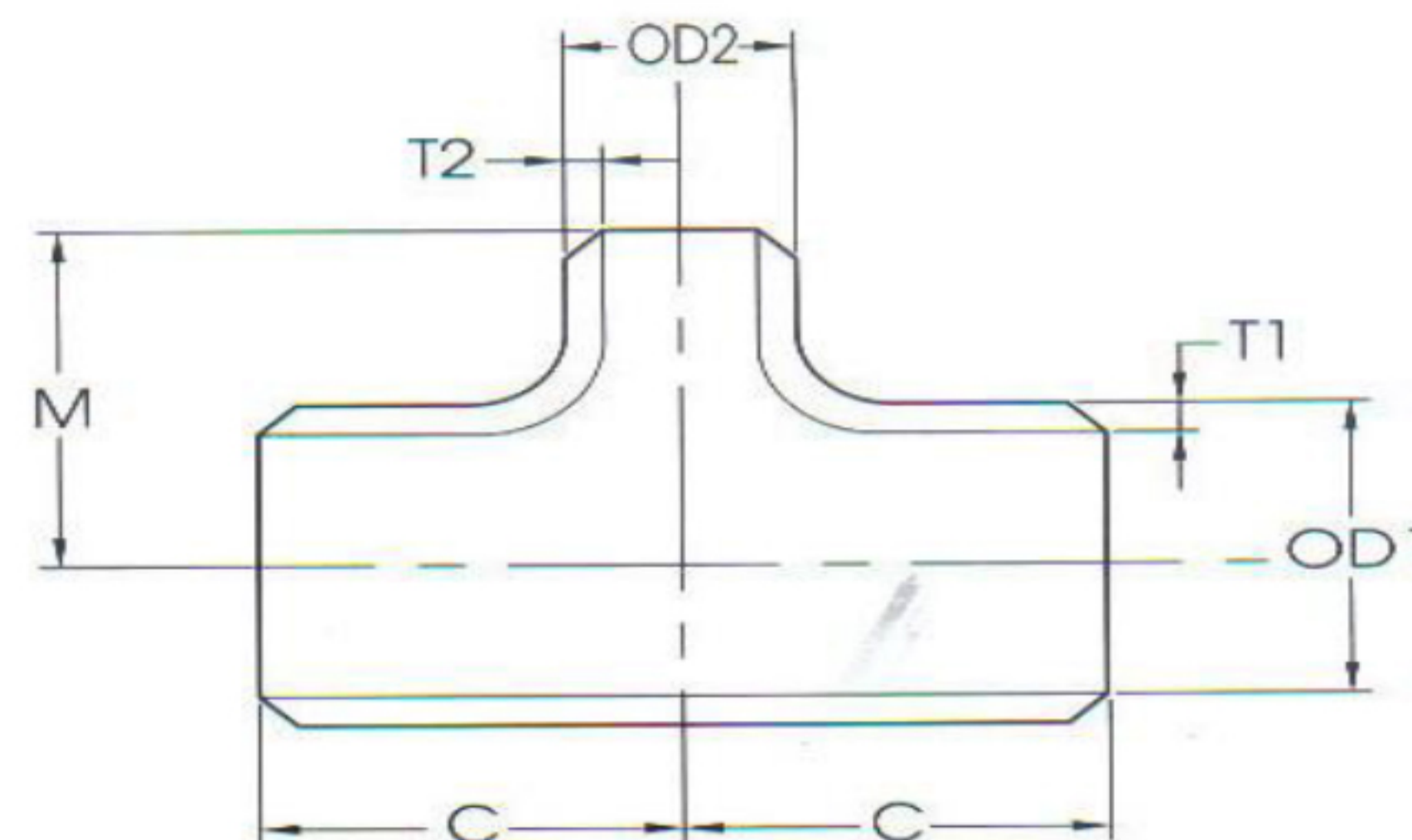
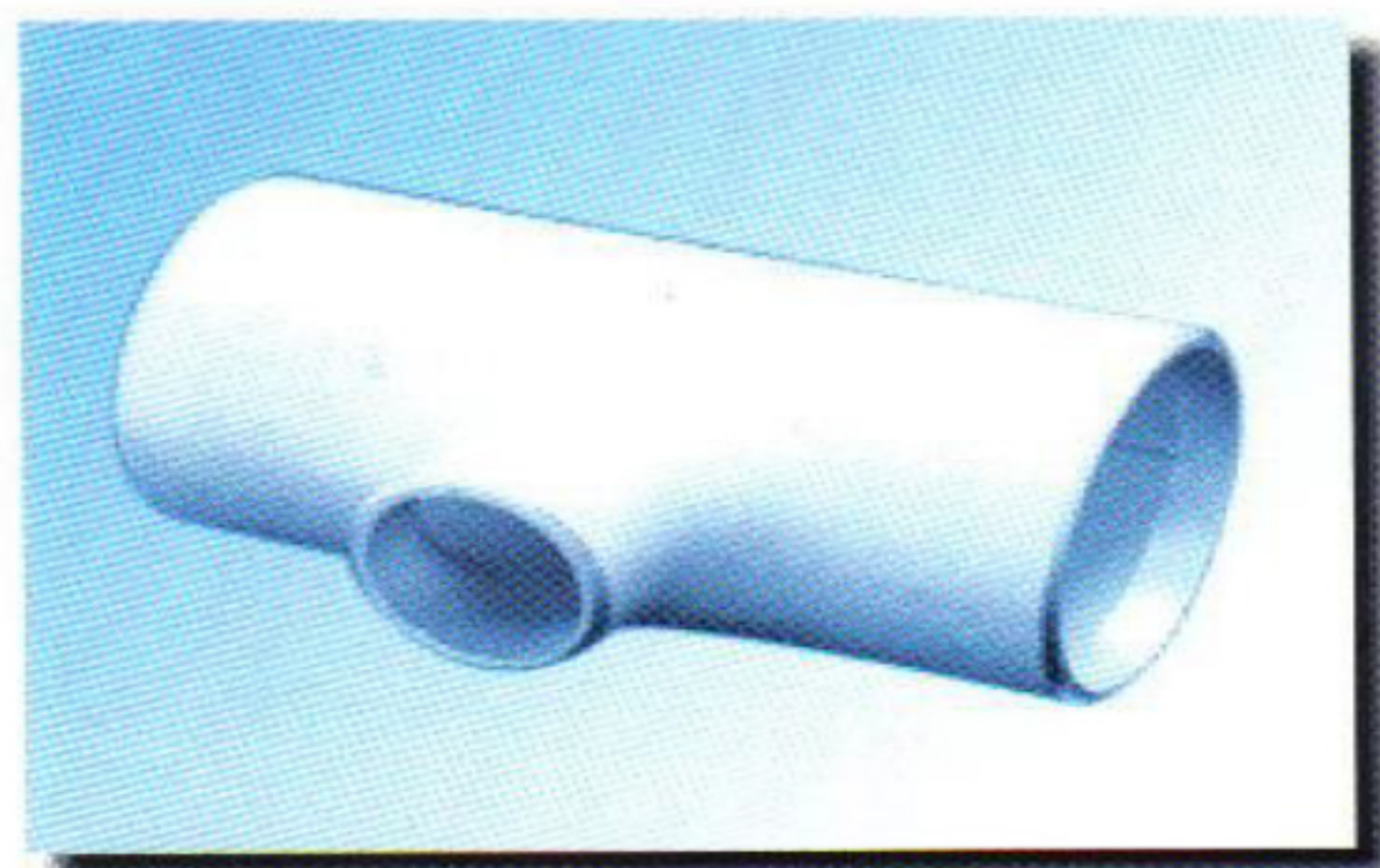
12/4 ซอยสุขสวัสดิ์ 15/1 ถนนสุขสวัสดิ์ แขวงบางปะกอก เขตราษฎร์บูรณะ กรุงเทพฯ 10140

โทร. 02-4282114 แฟกซ์ 02-4282125

E-mail : ugroups@hotmail.com Website : <http://www.udomkit.com>

ศูนย์รวมอุปกรณ์ ท่อ วาล์ว และวัสดุโรงงานทุกชนิด

**REDUCING OUTLET TEES STEEL,
SEAM AND SEAMLESS**



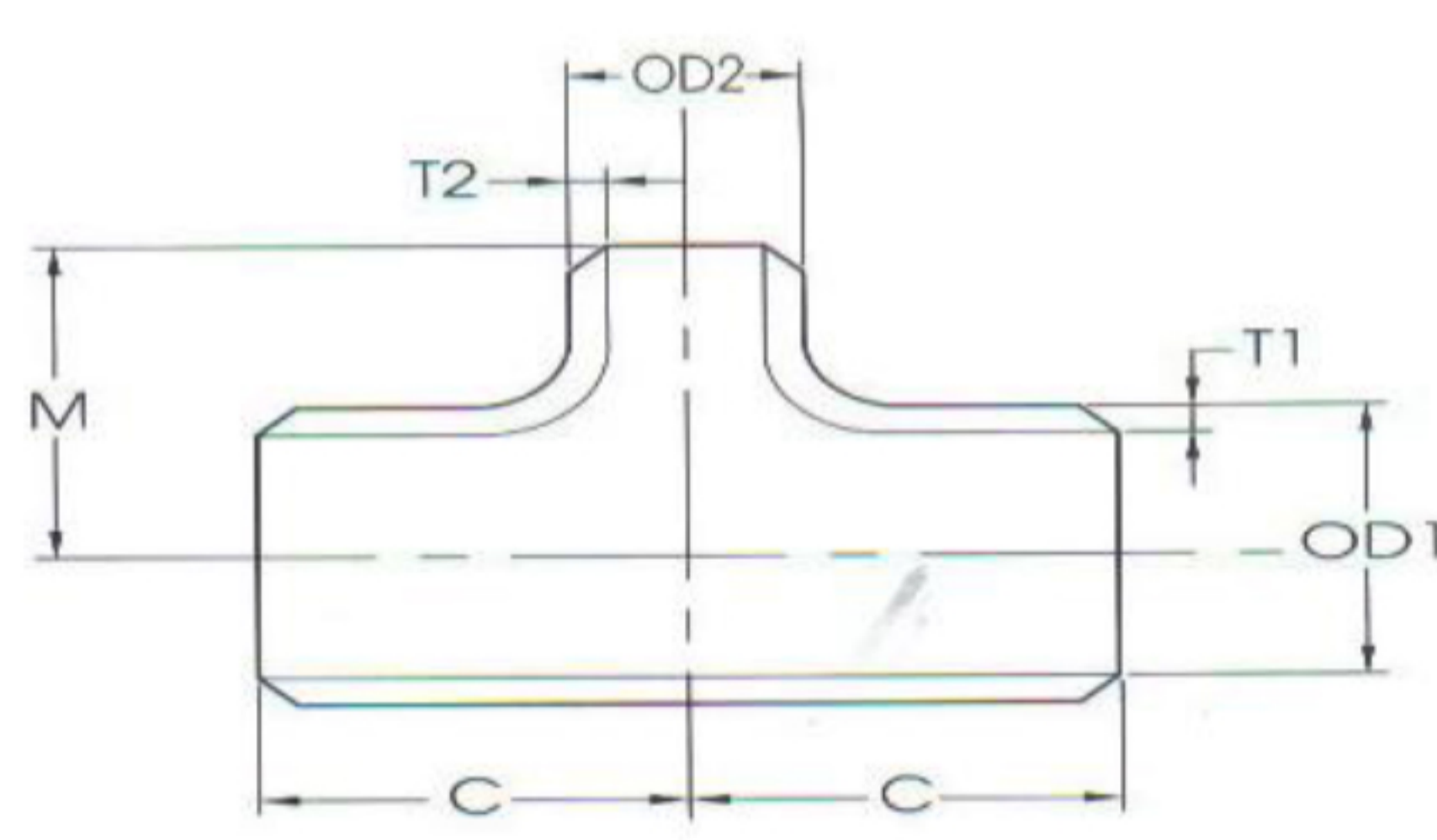
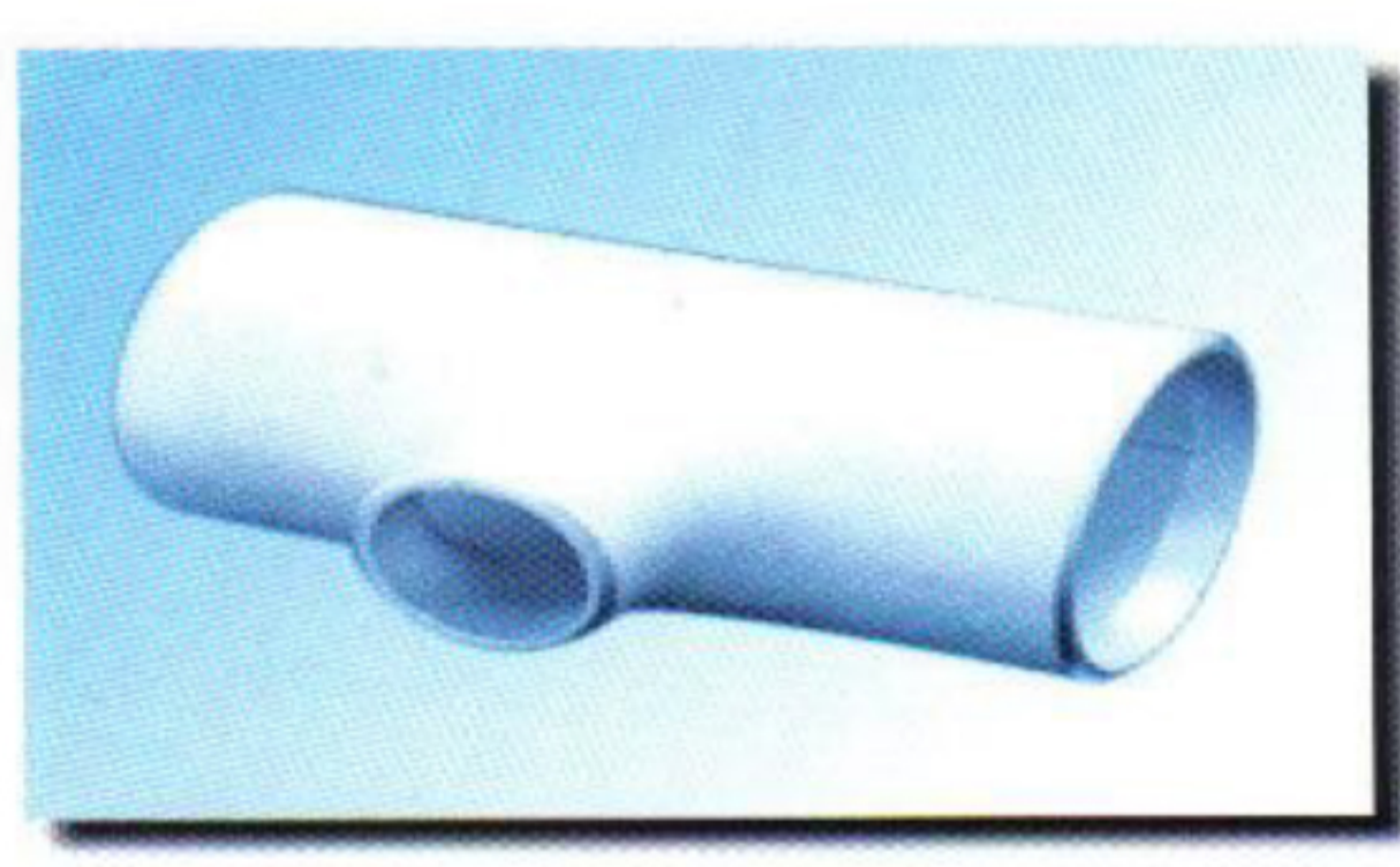
Dimension (Unit : mm)

Nominal Pipe Size		Outside Dia. OD1	Outside Dia. OD1	Wall Thickness (T1,T2)				Center to End C	Center to End M	Weight (kg)	
				Sch.40S		Sch.80S				Sch.40S	Sch.80S
in	mm			T1	T2	T1	T2				
3/4x1/2	20x15	27.20	21.70	2.90	2.80	-	-	28.60	25.4	-	-
1x1/2	25x15	34.00	21.70	3.40	2.80	-	-	38.10	25.4	-	-
1x3/4	25x20	34.00	27.20	3.40	2.90	-	-	38.10	28.6	-	-
1.1/4x3/4	32x20	42.70	27.20	2.90	3.60	3.90	4.90	47.60	47.6	0.37	0.48
1.1/4x1	32x25	42.70	34.00	3.40	3.60	4.50	4.90	47.60	47.6	0.38	0.50
1.1/2x1/2	40x15	48.60	21.70	3.70	2.80	-	-	57.20	25.4	-	-
1.1/2x3/4	40x20	48.60	27.20	2.90	3.70	3.90	5.10	57.20	57.2	0.52	0.69
1.1/2x1/2	40x15	48.60	34.00	3.40	3.70	-	-	57.20	57.2	0.54	-
1.1/2x1.1/4	40x32	48.60	42.70	3.60	3.70	4.90	5.10	57.20	28.6	0.56	0.75
2x3/4	50x20	60.50	27.20	3.90	3.90	-	-	63.50	50.8	0.68	-
2x1	50x25	60.50	34.00	3.40	3.90	4.50	5.50	63.50	57.2	0.73	1.00
2x1.1/4	50x32	60.50	42.70	3.60	3.90	4.90	5.50	63.50	60.3	0.75	1.04
2x1.1/2	50x40	60.50	48.60	3.70	3.90	5.10	5.50	63.50	66.7	0.77	1.07
2.1/2x1.1/2	60x40	76.30	48.60	3.70	5.20	5.10	7.00	76.20	69.9	1.46	1.93
2.1/2x2	65x50	76.30	60.50	3.90	5.20	5.50	7.00	76.20	73.0	1.50	1.99
3x1.1/2	80x40	89.10	48.60	3.70	5.50	5.10	7.60	85.70	76.2	2.02	2.73
3x2	80x50	89.10	60.50	3.90	5.50	5.50	7.60	85.70	82.6	2.05	2.78
3x2.1/2	80x65	89.10	76.30	5.20	5.50	7.00	7.60	85.70	85.7	2.91	2.91
4x1.1/2	100x40	114.30	48.60	3.70	6.00	5.10	8.60	104.80	88.9	3.43	4.80
4x2	100x50	114.30	60.50	3.90	6.00	5.50	8.60	104.80	95.3	3.46	4.85

ศูนย์รวมอุปกรณ์ ท่อ วาล์ว และวัสดุโรงงานทุกชนิด

**REDUCING OUTLET TEES STEEL,
SEAM AND SEAMLESS**

(CONTINUED)



Dimension (Unit : mm)

Nominal Pipe Size		Outside Dia. OD1	Outside Dia. OD1	Wall Thickness (T1,T2)				Center to End C	Center to End M	Weight (kg)	
				Sch.40S		Sch.80S				Sch.40S	Sch.80S
in	mm			T1	T2	T1	T2				
4x2.1/2	100x65	114.30	76.30	5.20	6.00	7.0	8.60	104.80	98.50	3.56	4.98
4x3	100x80	114.30	89.10	5.50	6.00	7.6	8.60	104.80	111.10	3.61	5.07
5x3	125x80	139.80	89.10	5.50	6.00	7.6	9.50	123.80	117.50	5.64	7.93
5x4	125x100	139.80	114.30	6.00	6.60	8.60	9.50	123.80	120.70	5.76	8.12
6x2.1/2	150x65	165.20	76.30	5.20	7.10	7.00	11.00	142.90	123.80	8.11	12.20
6x3	150x80	165.20	89.10	5.50	7.10	7.6	11.00	142.90	130.20	8.16	12.30
6x4	150x100	165.20	114.30	6.00	7.10	8.60	11.00	142.90	136.50	8.28	12.50
6x5	150x125	165.20	139.80	6.60	7.10	9.5	11.00	142.90	155.00	8.43	12.80
8x4	200x100	216.30	114.30	6.00	8.20	8.60	12.70	177.80	155.00	15.40	23.30
8x5	200x125	216.30	139.80	6.60	8.20	9.5	12.70	177.80	161.90	15.50	23.60
8x6	200x150	216.30	165.20	7.10	8.20	11.00	12.70	177.80	168.30	15.70	23.80
10x5	250x125	267.40	139.80	6.60	9.30	9.50	15.10	215.90	190.50	26.10	41.50
10x6	250x150	267.40	165.20	7.10	9.30	11.00	15.10	215.90	203.20	26.20	41.60
10x8	250x200	267.40	216.30	8.20	9.30	12.70	15.10	215.90	193.70	26.40	42.20
12x6	300x150	318.50	165.20	7.10	10.30	11.00	17.40	254.00	219.10	40.50	66.60
12x8	300x200	318.50	216.30	8.20	10.30	12.70	17.40	254.00	228.60	40.70	67.20
12x10	300x250	318.50	267.40	9.30	10.30	15.10	17.40	254.00	241.30	41.10	68.00

Note : 1. Outlet dimension "M" for run sizes 14 and larger is recommended but not mandatory.